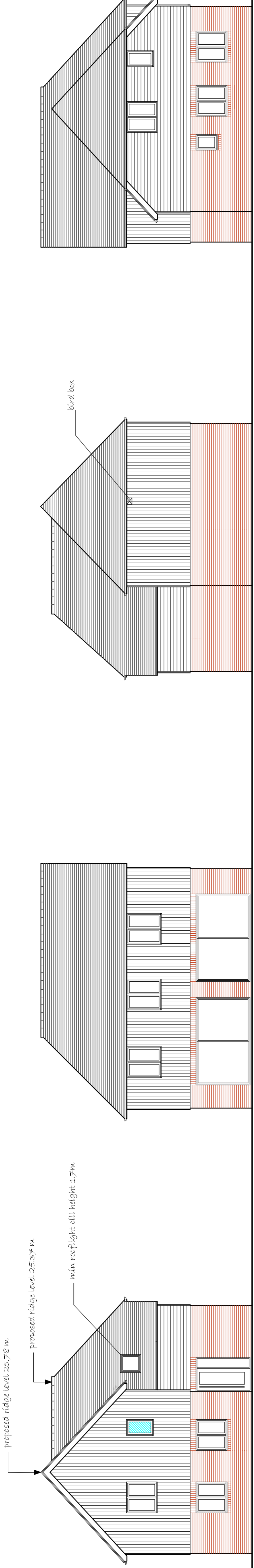


PLOT 1

WINCHESTER ROAD : ROMSEY

The drawing is the copyright of Sherlock Architecture and it must not be copied, altered or reproduced without their written consent. All dimensions are in millimetres unless otherwise stated. Dimensions over scaled areas and all to be checked on site.

MATERIALS
 Roof: material slates
 Walls: stone facing bricks & central boarding
 Windows: powder coated aluminium

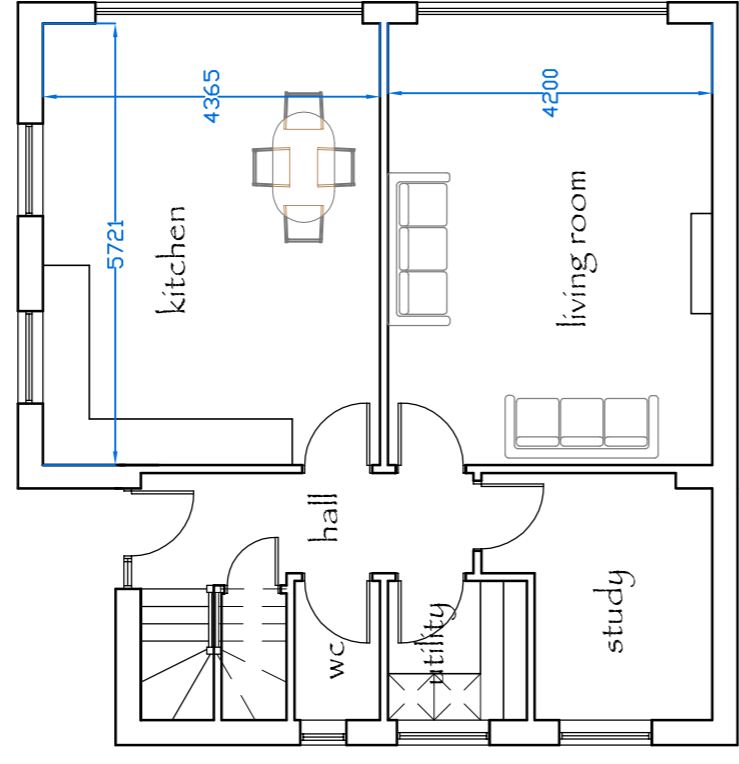


NORTH WEST ELEVATION

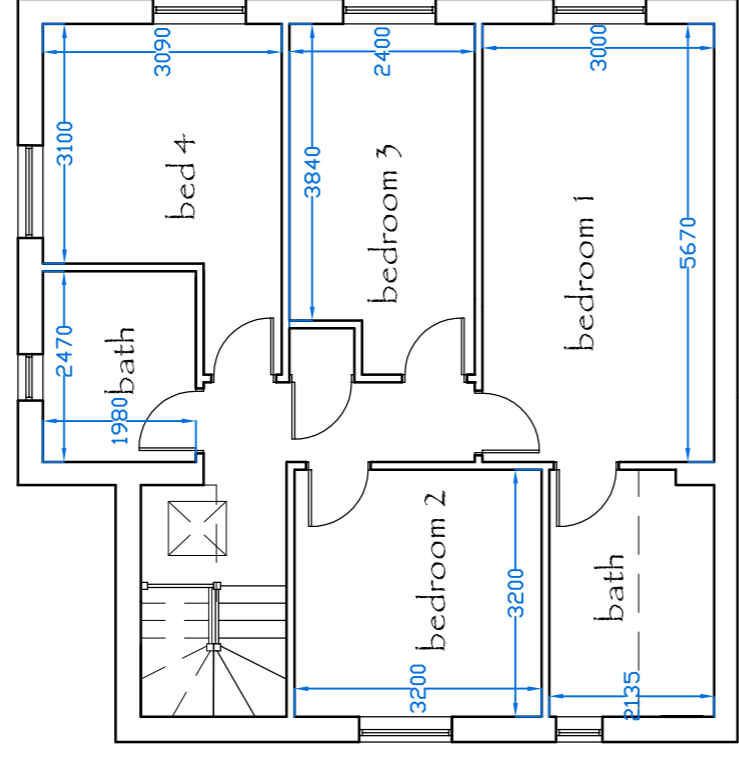
NORTH EAST ELEVATION

SOUTH EAST ELEVATION

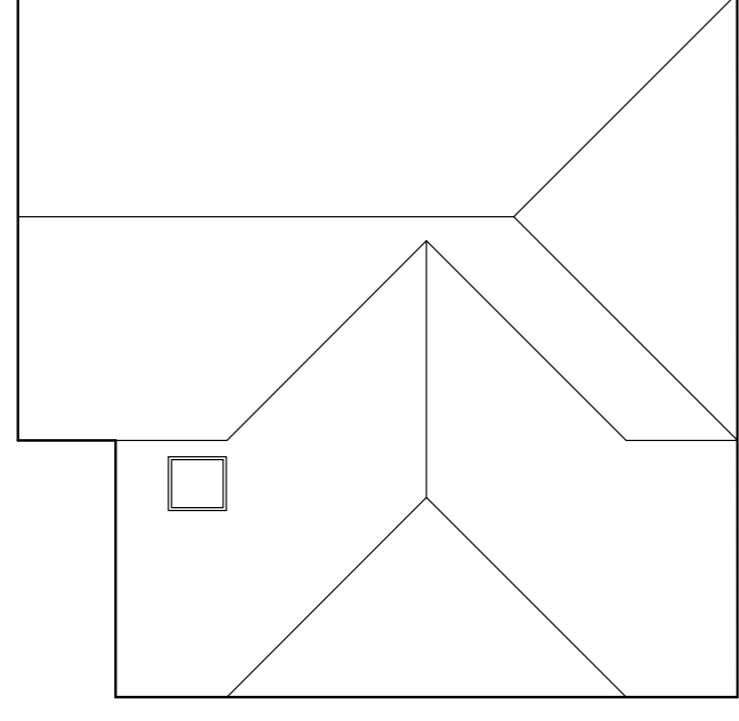
SOUTH WEST ELEVATION



GROUND FLOOR PLAN

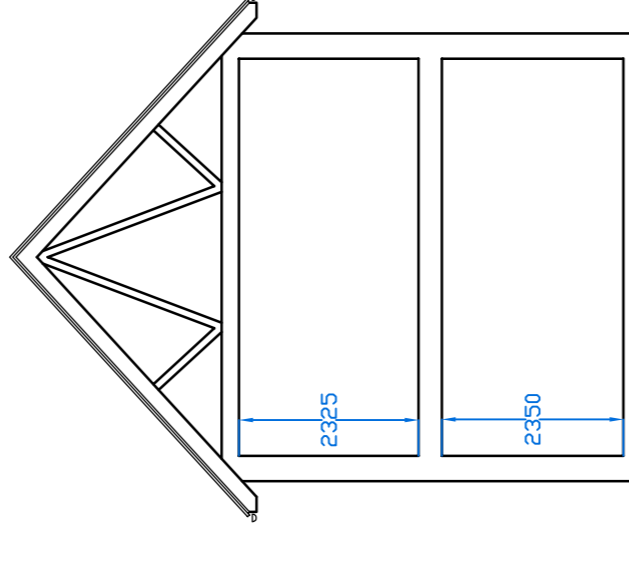


FIRST FLOOR PLAN

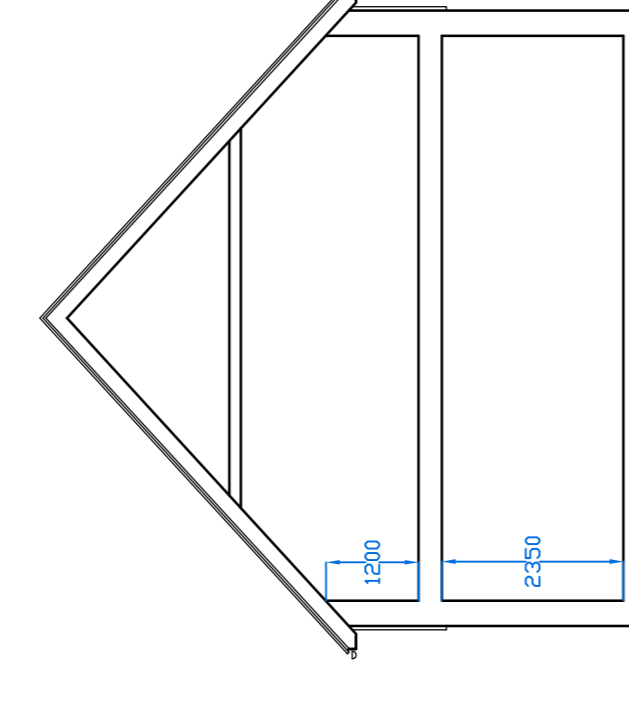


ROOF PLAN

Floor Areas
 Ground Floor - 74.54 sq m
 First Floor 74.54 sq m
 Total - 149.08 sq m



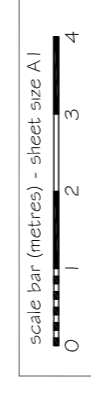
SECTION



SECTION

revisions

no.	description	date
1	issued for design	19.11.22



Project:
 109a WINCHESTER ROAD
 ROMSEY

Client:
 WILSON DESIGNER HOMES

drawing:
 PLOT 1
 PROPOSED FLOOR PLANS
 & ELEVATIONS

Date: JULY 21
Scale: 1:100
Sheet: A1
Job No.:

Stage: drawing no.
Rev: P 09 A